

# NELSON™ HEAT TRACING SYSTEMS SPECIFICATION / APPLICATION

## HC450 CONTACTOR INSTALLATION

### DESCRIPTION



This contactor is used for switching loads in excess of thermostat contacts ratings or switching multi loads with one thermostat in ordinary locations.

### ENCLOSURE

Powder Coated Steel

### CLASSIFICATIONS

NEMA Type 4 IP66

### ELECTRICAL CONTACT DATA

**CSA, FM Rating**  
50 amp resistance 600VAC

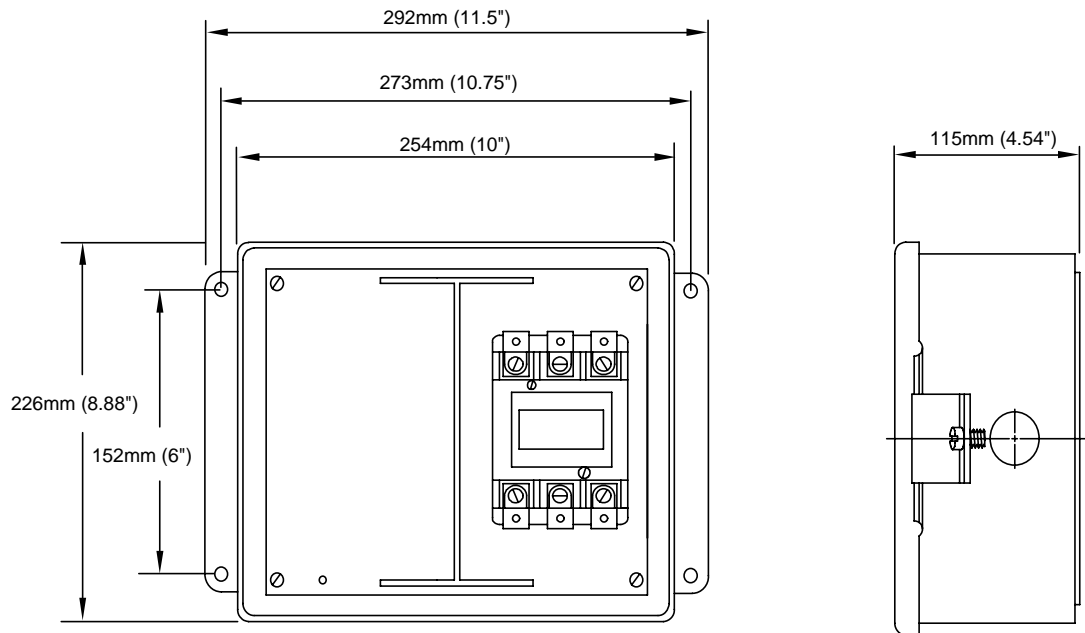
### SWITCH TYPE

Triple Pole Single Throw

### COIL VOLTAGE

Blank	=	120V
X208	=	208V
X240	=	240V
X277	=	277V
X480	=	480V

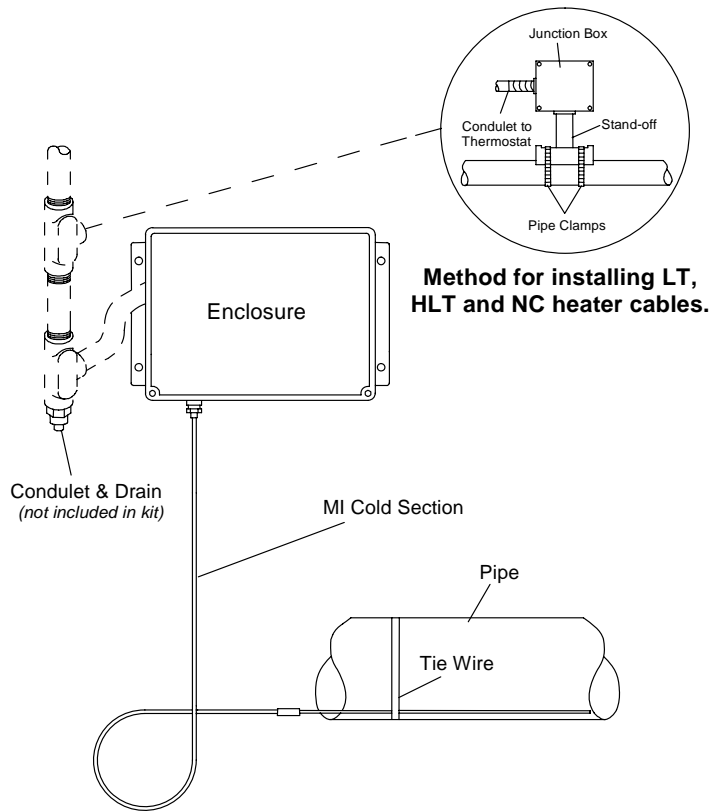
### OUTLINE



### Approvals:

FM - Ordinary Locations  
CSA - Ordinary Locations

**INSTALLATION**



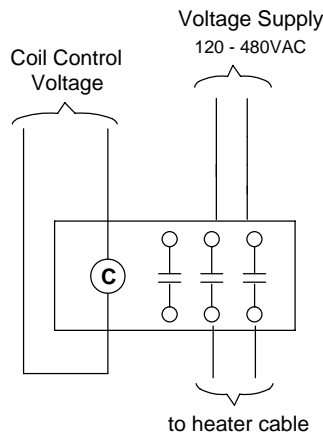
**INSTALLATION NOTES:**

- Securely mount enclosure and make electrical connections.
- Close enclosure cover to prevent damage from inclement weather.
- Insure all fittings associated with the power wiring are installed per applicable codes.
- When conduit type systems are used, low point drains / conduit drains are highly recommended.

**ANNUAL MAINTENANCE:**

Spray a coat of lubricant and rust preventative such as CRC Stor & Lube on the electrical wire connections.

**WIRING DIAGRAM**



Nelson Heat Tracing Systems products are supplied with a limited warranty. Complete Terms and Conditions may be found on Nelson's website at [www.nelsonheaters.com](http://www.nelsonheaters.com).